

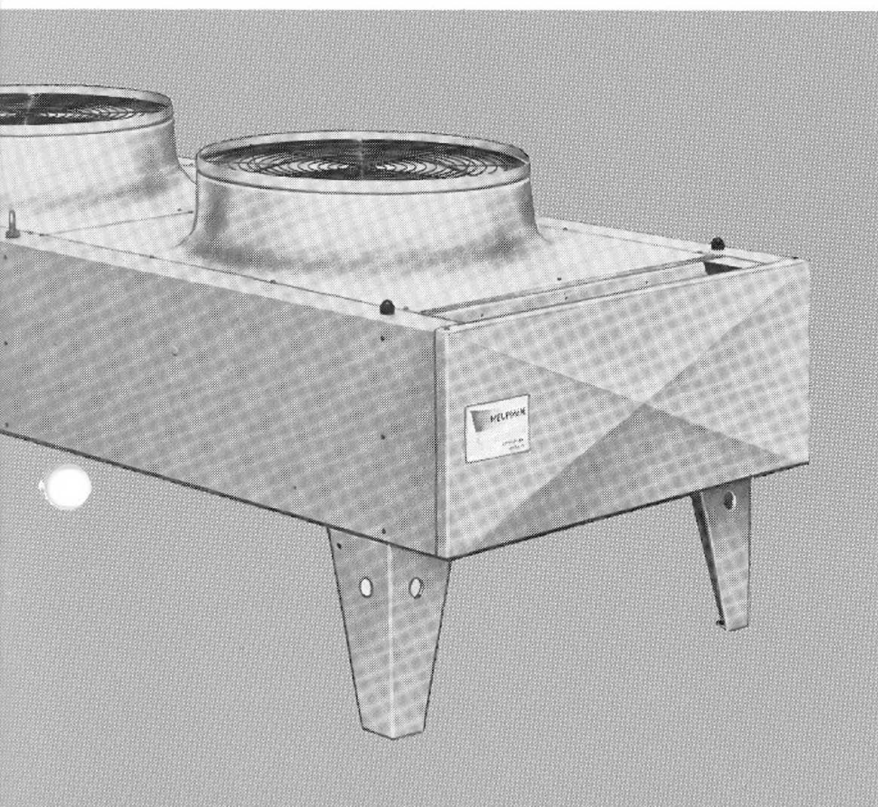
HELPMAN

000201

55.21

1

06-89



Aircooled
condensers

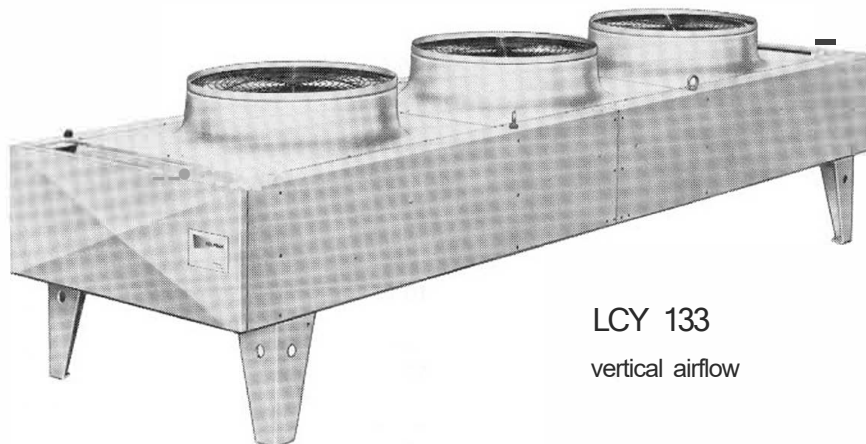
LCY

Aircooled condensers**LCY**[IN#M#AVIA](#) [n;](#) [lKf](#) [&nW](#) [z](#) [lE](#) [f8Y2hi4ifU](#)**Contents**

Page	
4-5-6	General information
7	Technical data
8	Capacity Calculation factors
9	Sound levels
10	Dimensions vertical airflow
11-12	Dimensions horizontal airflow
13	Coupling headers Extra high feet
14	Mounting Transport

Aircooled condensers

LCY



LCY 133
vertical airflow

Range

The LCY aircooled condenser range includes 16 models with 1 to 10 fans and duties from 43 to 550 kW at 15 K temperature difference.

Design

Finned coil with aluminium fins and 1/2" OD copper tubing
Tube centres: 38x38 mm
Fin spacing: 2.25mm

Casing and framework are of pregalvanised sheet steel (Sendzimir). Fanplate with fan discharge hood are of aluminium. The casing has an epoxy coating, light-grey (RAL 7035). Other colours are available as optional extra. All condensers are pressure tested at 25 bar, evacuated and provided with a dry nitrogen protection charge.

Mounting

Standard mounting: vertical airflow. Horizontal airflow is possible. For certain types horizontal airflow requires adaptation of refrigerant circuiting (see page 7) at an extra price. Standard vertical airflow is supplied unless indicated differently in the order.

Fans

4-blade corrosion resistant aluminium fan blades. Diameter 762 mm.

Aircooled condensers

LCY

Fanmotors

Fanmotors are of totally enclosed design, class IP-55.

Standard

n= 930 rpm

750 W, 220-240/380-415/50/3

Motors are wired to a common terminal box (one box per condenser coil), located at the endplate on the liquid header side of the coil.

For application at ambient temperatures above 40 °C, special motors on request.

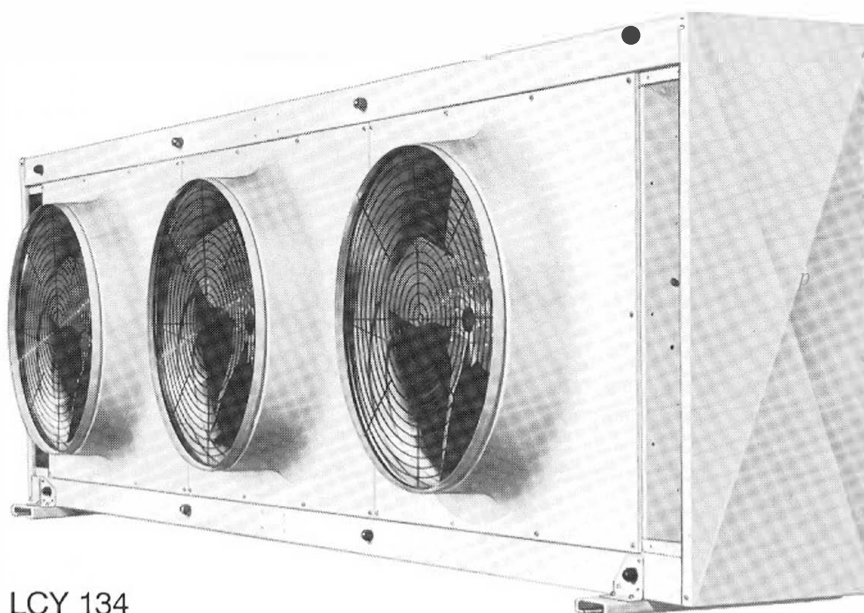
Available at extra charge:

- 1: n= 690rpm
370 W, 220-240/380-415/50/3
- 2: n= 325 rpm
120 W, 220-240/380-415/50/3
- 3: 2 speed motors 935/425 rpm
750/150 W, 380-415/50/3
- 4: n= 930 rpm
750 W, 220-240/50/1
- 5: single phase motor suitable for speed regulation with Thyristor speed controller.
750 W max., 220-240/50/1
- 6: motor suitable for 60 Hz supply
n= 840 rpm
660 W, 220-254/380-440/60/3

Corrosion protection

The condensers do have a high corrosion resistance through selected materials, surface treatment and construction. For application in aggressive surroundings (coastal- and industrial areas) following designs are available at an extra charge:

- fins of seawater resistant aluminium alloy (57S/5052).
- fins of prepainted aluminium (capacity reduction of 7% to be considered).
- copper fins.
- finned coils chromated after assembling.



LCY 134

horizontal airflow

Aircooled condensers

LCY

Capacities

Sound levels

Type	Capacity				Fans	airvolume m ³ /h, n= 930	Sound levels dB(a)				Max. number of circuits available	
	td = 15 K*						number	n= 930	690	425		325
	kW											
LCY	n= 930	690	425	325								
LCY 113	43	36	29	25	1	15500	56	49	38	35	10	
LCY 114	53	43	33	27	1	15000	56	49	38	35	10	
LCY 123	90	76	58	50	2	31000	59	52	41	38	15	
LCY 124	108	89	65	54	2	30000	59	52	41	38	15	
LCY 133	137	118	89	79	3	46500	61	54	43	40	15	
LCY 134	158	133	98	81	3	45000	61	54	43	40	30	
LCY 143	180	154	115	100	4	62000	62	55	44	41	30	
LCY 144	216	180	133	108	4	60000	62	55	44	41	30	
LCY 154	275	230	168	135	5	75000	63	56	45	42	30	
LCY 223	180	154	115	100	4	62000	62	55	44	41	30	
LCY224	216	180	133	108	4	60000	62	55	44	41	30	
LCY233	274	236	178	158	6	93000	64	57	46	43	30	
LCY 234	316	266	196	162	6	90000	64	57	46	43	60	
LCY243	360	308	230	199	8	124000	65	58	47	44	60	
LCY244	432	360	266	216	8	120000	65	58	47	44	60	
LCY254	550	460	336	270	10	150000	66	59	48	45	60	

Capacity

The basic capacity ratings are for R22 and R502 at a td* of 15 K and ambient temperatures up to 35 °C.

*td = difference between condensing temperature and ambient temperature.

Capacities are directly proportional with other temperature differences between 10 and 20 K

For correction-factors on capacity: see page 8

Capacity control

For multifan models capacity can be controlled by cycling one or more fans. Capacity control on all models is also possible by using 2-speed or speed regulated single phase motors. The fan compartments are separated by baffle plates.

Soundlevel dB(a)

The soundlevels in the table are the results of tests carried out in free field conditions. The values are measured in the horizontal plane at a distance of 10 m around the condenser with an A-filter. Values may deviate depending on situations at site.

Multi circuiting

Condensers can be supplied (at extra charge) with more separated coil sections.

Applications as liquid cooler

The condenser can also be used as liquid cooler, for instance cooling back of cooling water in watercooled plants.

Apparatenfabriek Heipman N.V.

Postbus 44
9700 AA Groningen

Tel. (050) 26 26 15
Fax(050) 26 48 78

Aircooled condensers

LCY

Li Ljfiigf 1 z& 16N#fffi1+##1Y, "iii#ii#i i ; ; w 01WV&W1

Technical data

Type	Refrigerant connections			Internal volume dm ³	Cooling surface m ²	Weight kg	
	mm ODS in	out				alu. fins	Cu fins
LCY 113	1 x 35	1 x 28	* **	16	135	158	248
LCY 114	1 x 35	1 x 28	**	22	179	178	298
LCY 123	1 x 42	1 x 35	**	32	269	276	456
LCY 124	1 x 42	1 x 35	**	42	359	316	556
LCY 133	1 x 54	1 x 42	**	48	404	394	664
LCY 134	1 x 54	1 x 42		63	538	454	814
LCY 143	1 x 67	1 x 54	*	64	538	518	878
LCY 144	1 x 67	1 x 54		84	717	598	1080
LCY 154	1 x 67	1 x 54		104	897	742	1340
LCY223	2 x 42	2 x 35	**	64	538	552	912
LCY224	2 x 42	2 x 35	**	84	717	632	1110
LCY233	2 x 54	2 x 42	**	96	807	788	1330
LCY234	2 x 54	2 x 42		126	1076	908	1630
LCY243	2 x 67	2 x 54	*	128	1076	1030	1750
LCY244	2 x 67	2 x 54		168	1434	1190	2150
LCY245	2 x 67	2 x 54		208	1793	1470	2670

* Type LCY 113, 143 and 243 do have the connections on both sides. The other types have the inlet- and outlet- connections at the same side.

** Only suitable for horizontal airflow with special header arrangement.

Type indication

f.i.: LCY 123

- 1- Number of coils _____
- 2- Number of fans per coil _____
- 3- Number of tuberows in airdirection _____

Aircooled condensers

LCY

H...Y&Y@&\...i'GREBMMIM&M...id

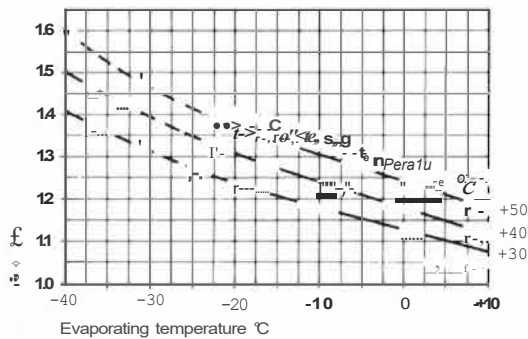
Factors for calculation of the condenser capacity

The condenser capacity is the compressor capacity multiplied with the factor from the diagram.

The diagrams are valid for R12, R22 and R502. At evaporating temperatures below -20 °C the condenser capacity has to be calculated from the compressor capacity at -20 °C, or a starting control should be used to protect the compressors from high starting loads.

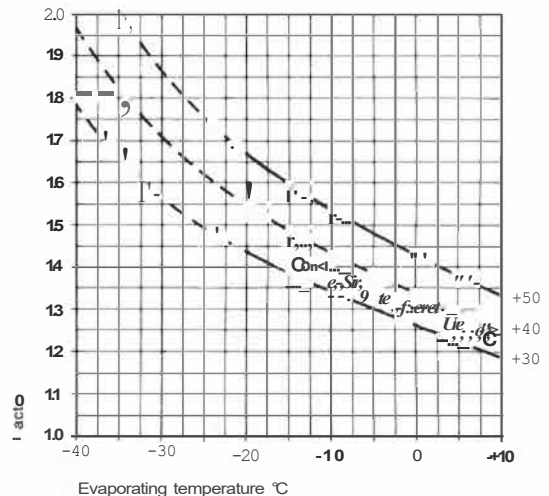
OPEN compressors

SEMI-HERMETIC compressors (motor air/water cooled)



SEMI-HERMETIC compressors (motor suction gas cooled)

HERMETIC compressors



Correction factors capacity

		Correction factor
Ambient temperature	35 °C	1.00
	40 °C	0.95
	50 °C	0.90
Altitude above sea level	0m	1.00
	500 m	0.97
	1000 m	0.93
	1500 m	0.90
	2000 m	0.86
	2500 m	0.83
Refrigerant	R22/R502	1.00
	R12	0.95
Application of motors suitable for 60 Hz, n= 840 rpm		0.95

Example

What capacity has a LCY 124 in an ambient temperature of 40 °C, refrigerant R12, altitude at sea level and equipped with motors for 60 Hz

Nominal capacity at $t_d = 15 \text{ K}$ 108 kW

Correction factors:

$t = 40 \text{ °C}$	0.95
R12	0.95
altitude	1.00
60 Hz motors	0.95

Corrected capacity:

$$0.95 \times 0.95 \times 1.00 \times 0.95 \times 108 = 92.5 \text{ kW}$$

Aircooled condensers

LCY

MMH Sttt E6MIMS1AMG1

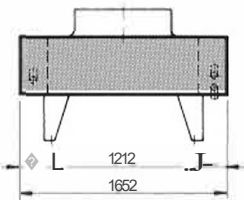
Soundlevels dB(a)

Type	Distance 5m				Distance 10 m				Distance 15 m				Distance 25 m			
	n= 930	690	425	325	n= 930	690	425	325	n= 930	690	425	325	n= 930	690	425	325
LCY 113	62	55	44	41	56	49	38	35	52	45	34	31	48	41	30	27
LCY 114	62	55	44	41	56	49	38	35	52	45	34	31	48	41	30	27
LCY 123	65	58	47	44	59	52	41	38	55	48	37	34	51	44	33	30
LCY 124	65	58	47	44	59	52	41	38	55	48	37	34	51	44	33	30
LCY 133	67	60	49	46	61	54	43	40	57	50	39	36	53	46	35	32
LCY 134	67	60	49	46	61	54	43	40	57	50	39	36	53	46	35	32
LCY 143	68	61	50	47	62	55	44	41	58	51	40	37	54	47	36	33
LCY 144	68	61	50	47	62	55	44	41	58	51	40	37	54	47	36	33
LCY 154	69	62	51	48	63	56	45	42	59	52	41	38	55	48	37	34
LCY223	68	61	50	47	62	55	44	41	58	51	40	37	54	47	36	33
LCY 224	68	61	50	47	62	55	44	41	58	51	40	37	54	47	36	33
LCY 233	70	63	52	49	64	57	46	43	60	53	42	39	56	49	38	35
LCY 234	70	63	52	49	64	57	46	43	60	53	42	39	56	49	38	35
LCY243	71	64	53	50	65	58	47	44	61	54	43	40	57	50	39	36
LCY244	71	64	53	50	65	58	47	44	61	54	43	40	57	50	39	36
LCY254	72	65	54	51	66	59	48	45	62	55	44	41	58	51	40	37

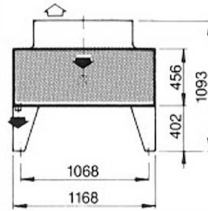
Aircooled condensers

LCY

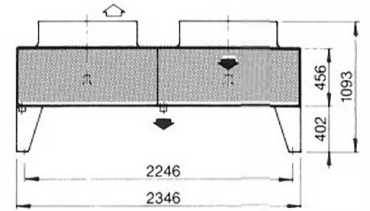
Vertical airflow



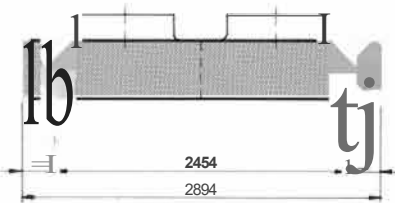
LCY 113/114



LCY range 1.

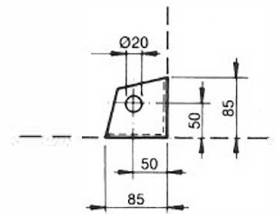


LCY range 2.

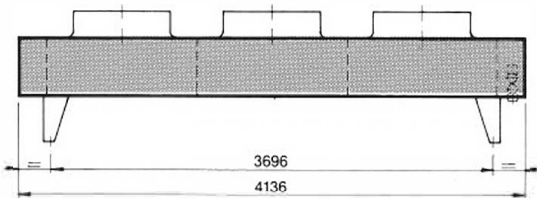


LCY 123/124

LCY 223/224

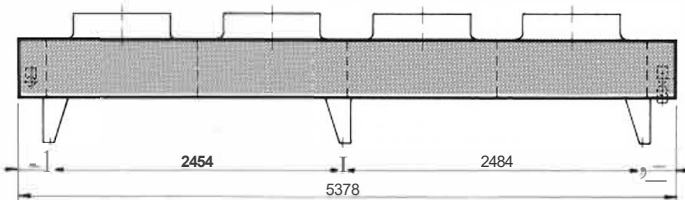


Bottom view
mounting feet



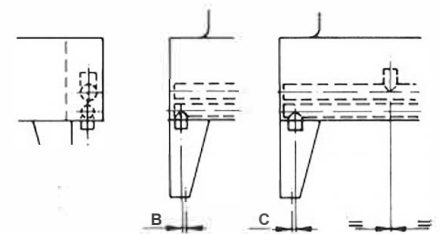
LCY 133/134

LCY 233/234

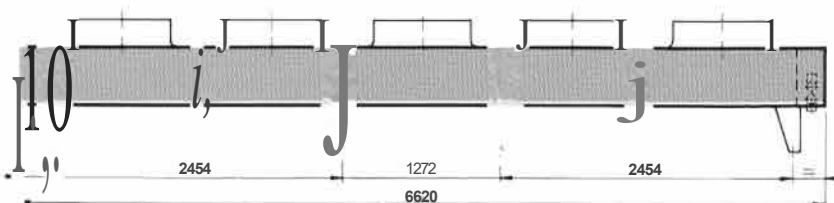


LCY 143/144

LCY 243/244



Liquid out	A	B	C
0 28	125	10	
35	125	5	
42	130	0	0
54	135		5



LCY 154

LCY 254

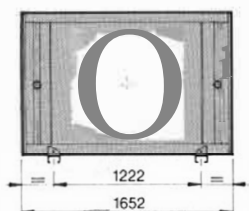
Aircooled condensers

LCY

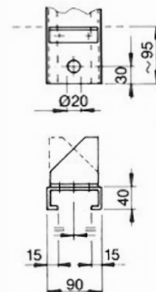
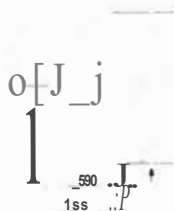
Im!M@!11Wt@ A #Wftr%&hfftr6+.i#Efti, M&iW Mn#WMi

Horizontal airflow

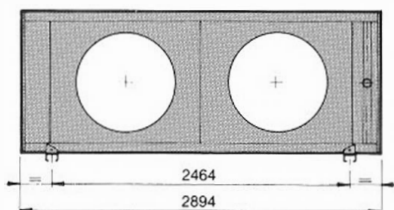
LCY range 1.



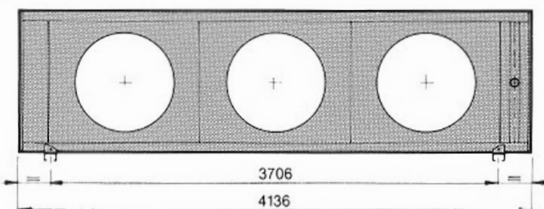
LCY 113/114



Mounting detail



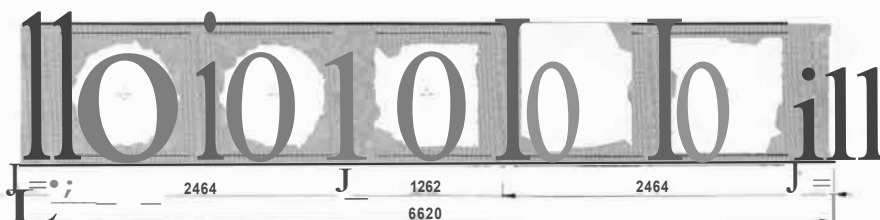
LCY 123/124



LCY 133/134



LCY 143/144



LCY 154

Horizontal airflow

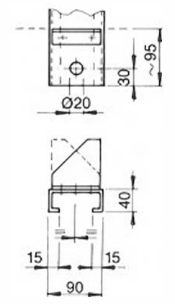
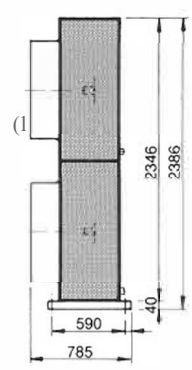
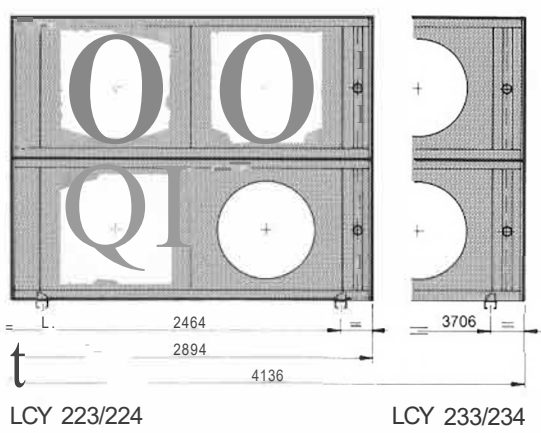
Types LCY 113, 114, 123, 124 and 133, are only available for horizontal airflow on special delivery at extra price.

Aircooled condensers

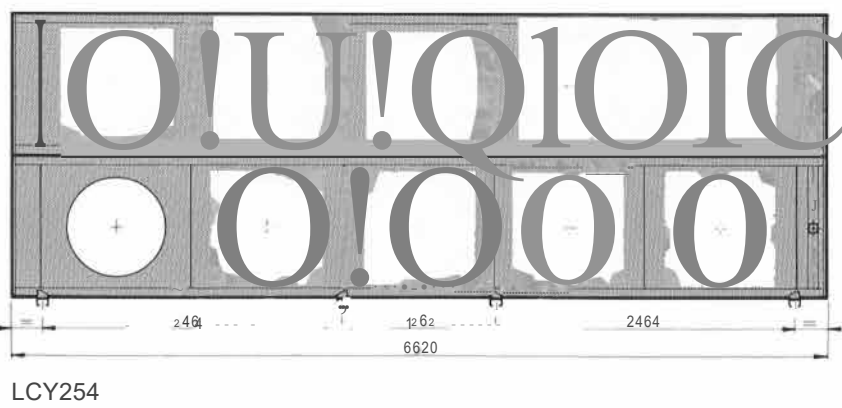
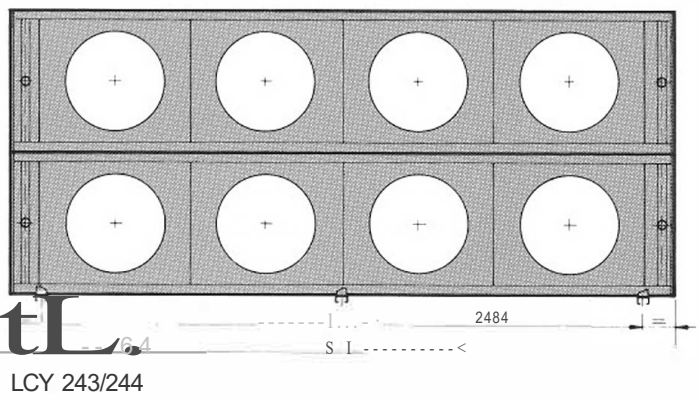
LCY

Horizontal airflow

LCY range 2.



Mounting detail



Horizontal airflow

Types LCY 223, 224 and 233, are only available for horizontal airflow on special delivery at extra price.

Aircooled condensers

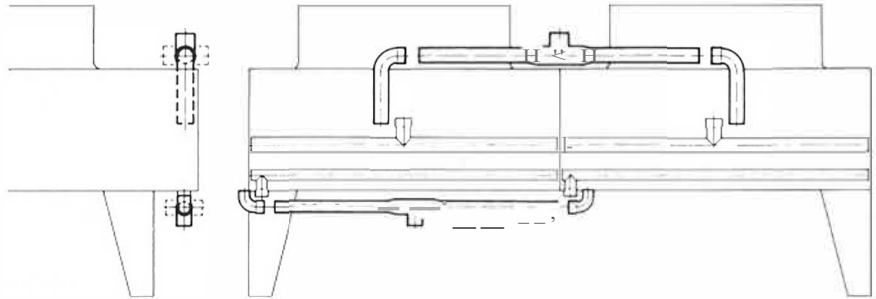
LCY

WWW.HELPMAN.NL

Coupling headers

The condensers type LCY 223 - 254 are equipped with 2 finned coils, each having a pair of in- and outlet connections.

As optional extra coupling headers can be supplied. These coupling headers are supplied in loose parts having soldering connections.



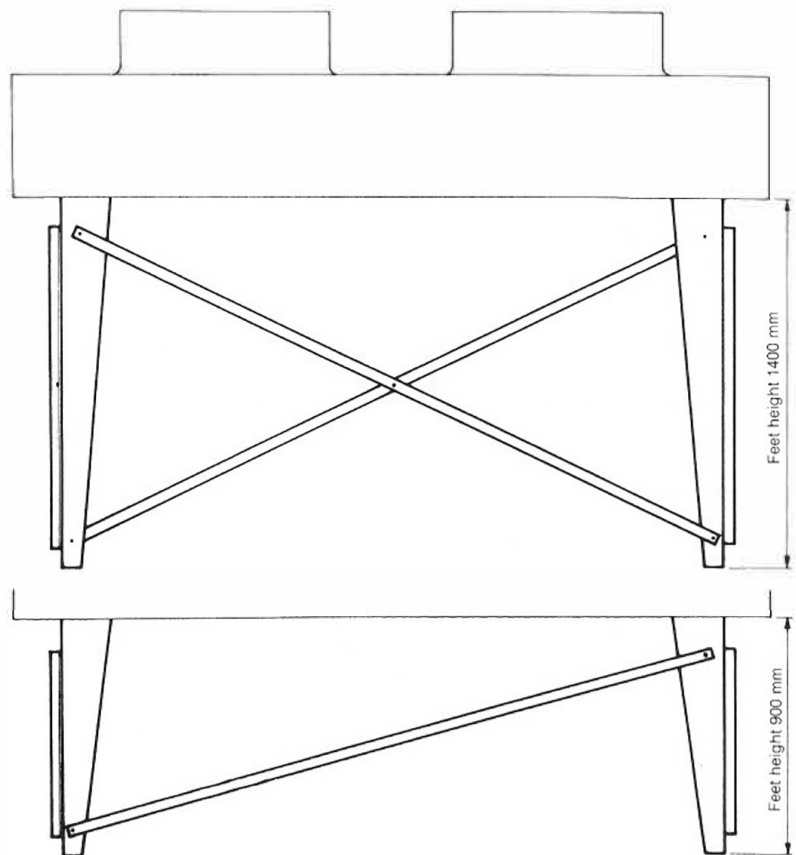
Type	Central connection mm	
	gas in	liquid out
LCY223	54	42
LCY224	54	42
LCY233	67	54
LCY234	67	54
LCY243	80	67
LCY244	80	67
LCY254	80	67

Extended feet

Extended feet can be supplied as optional extra. These feet are supplied separately. The standard feet height leaves 402 mm free space under the condenser.

Extended feet are available for heights of 650, 900 and 1400 mm.

The 900 and 1400 mm feet do have truss beams.



Aircooled condensers

LCY

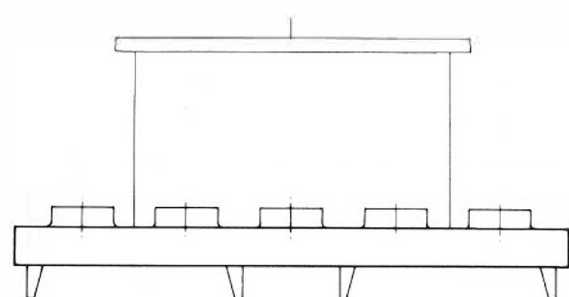
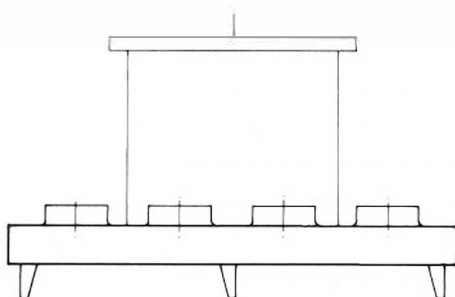
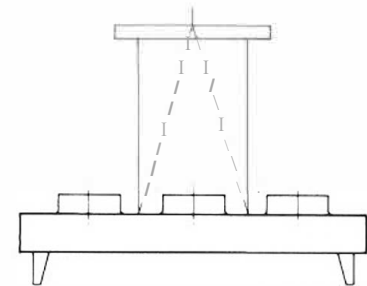
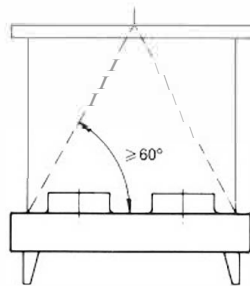
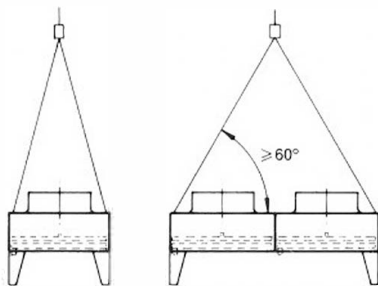
P/E H M M i i i

Transport

All types are provided with lifting lugs. To avoid damage during hoisting, a hoisting beam shall be used, by which the given angles are to be considered. Beware of shocks during transport and handling.

Mounting

Refrigerant connections are to be soldered free of tension. When connecting more condensers in parallel the pressure drop on the refrigerant side has to be considered.



Thermal overload relay settings

Motorspeed rpm	Duty Watt	Voltage Volt	Amperage Ampere
930	750	220-240/380-415/50/3	2.9 / 5
690	370	220-240/380-415/50/3	1.5/2.6
325	120	220-240/380-415/50/3	1.2 / 2
935/425	750/150	380-415/50/3	3.1 / 1.1
930	750	220-240/50/1	8
865 variable	750	220-240/50/1	8.4*
840	660	220-254/380-440/60/3	2.8 / 4.8

(ambient temperature -10 °C)

*value at highest speed

Apparatenfabriek Helpman NV.

Postbus 44
9700 AA Groningen

Tel. (050) 26 26 15

Fax (050) 26 48 78